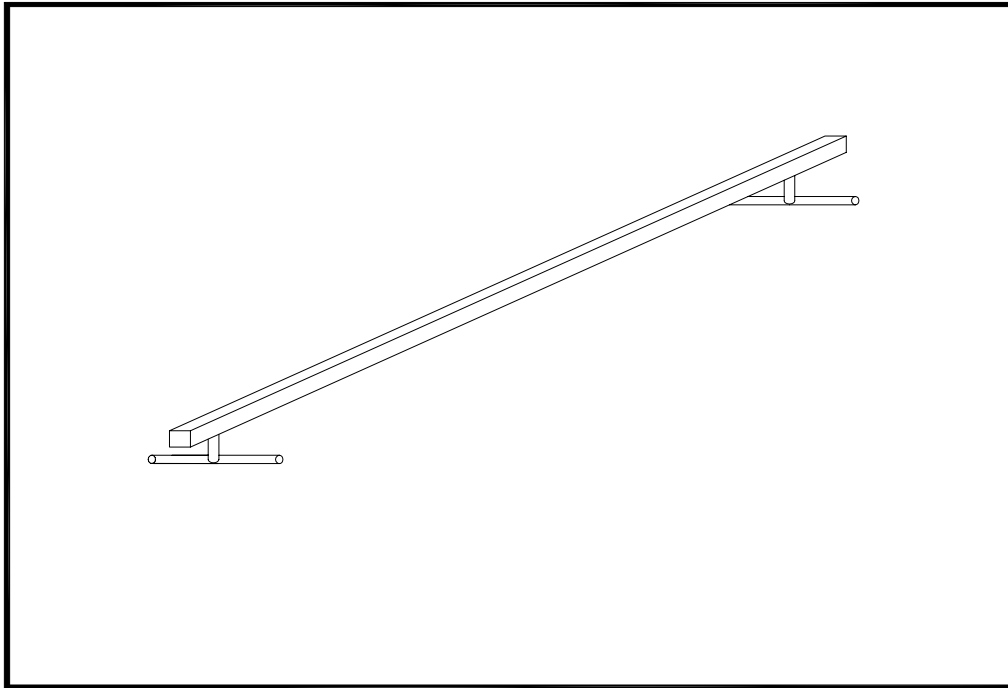




AMERICAN ATHLETIC, INC.
200 AMERICAN AVENUE
JEFFERSON, IOWA 50129
PHONE 515-386-3125

ASSEMBLY INSTRUCTIONS



LBBP-217

200 SERIES LOW BALANCE BEAM

MODEL NUMBER

0406032

LAST REVISION DATE

12-02-94

INSTRUCTION SHEET NUMBER

0081624

AMERICAN ATHLETIC, INC.
 200 AMERICAN AVENUE
 JEFFERSON, IOWA 50129
 PHONE 515-386-3125

MODEL #406032
 INSTRUCTION SHEET #81624
 DECEMBER 2, 1994

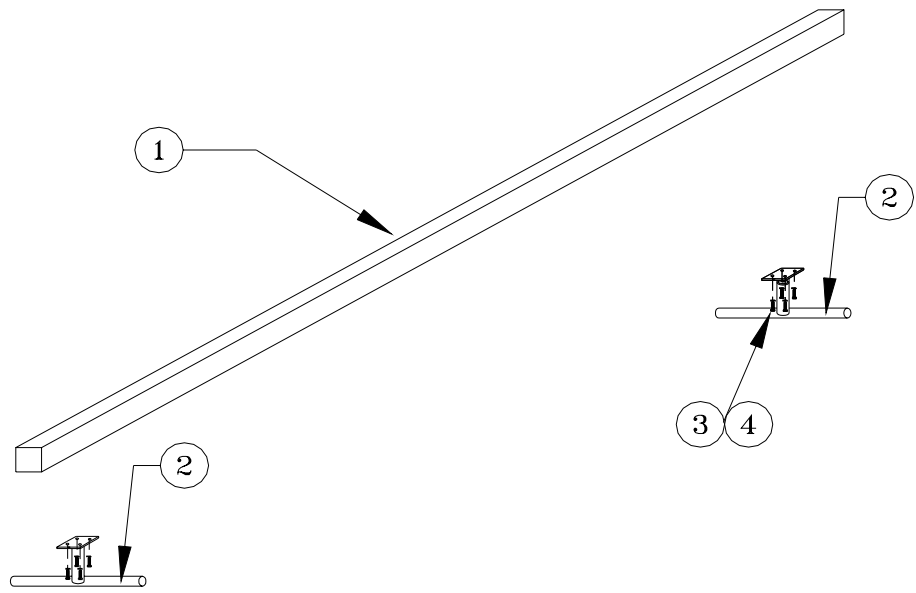


FIGURE 1

ASSEMBLY PARTS LIST

KEY	PART #	DESCRIPTION	QTY
1	0407105	PADDED BEAM	1
2	N/A	BASE/PISTON ASSEMBLY	2
3	0020510	HEX HEAD CAP SCREW-3/8 X 1-1/4	8
4	0020410	3/8" LOCK WASHER	8

AMERICAN ATHLETIC, INC.
200 AMERICAN AVENUE
JEFFERSON, IOWA 50129
PHONE 515-386-3125

MODEL #406032
INSTRUCTION SHEET #81624
DECEMBER 2, 1994

BEFORE YOU START TO ASSEMBLE

1. YOUR 200 SERIES LOW BALANCE BEAM COMES TO YOU IN TWO PACKAGES. 407105-PADDED BALANCE BEAM PACKAGE, CONTAINING ONLY THE BEAM. AND 406726-BASE PACKAGE CONTAINING THE PRE-ASSEMBLED BASES AND A PARTS BAG CONTAINING HEX HEAD CAP SCREWS AND LOCK WASHERS.
2. CHECK TO MAKE SURE ALL PARTS ARE PRESENT.
3. YOU WILL NEED A 9/16" WRENCH TO COMPLETE ASSEMBLY.

ASSEMBLY INSTRUCTIONS

1. REFER TO FIGURES 1 & 2.
2. LAY THE BEAM UPSIDE DOWN ON THE FLOOR (HOLES FACING UP). MAKE SURE THE FLOOR IS CLEAN AND FREE OF OBJECTS WHICH COULD TEAR THE SURFACE COVERING.
3. SET A BASE ON THE BEAM SO THE HOLES IN THE MOUNTING PLATE ARE ALIGNED WITH THE HOLES IN THE BEAM.

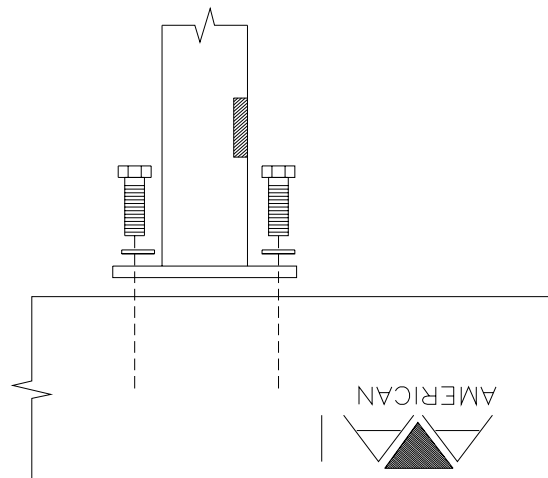


FIGURE 2

AMERICAN ATHLETIC, INC.
 200 AMERICAN AVENUE
 JEFFERSON, IOWA 50129
 PHONE 515-386-3125

MODEL #406032
 INSTRUCTION SHEET #81624
 DECEMBER 2, 1994

4. INSERT A SCREW INTO EACH HOLE AND TIGHTEN SECURELY USING A 9/16" WRENCH.
5. REPEAT THE PROCESS FOR THE OTHER END OF THE BEAM.
6. CAREFULLY TURN BEAM UPRIGHT ONTO ITS LEGS. PLACE MATS UNDERNEATH THE BEAM.
7. YOUR BEAM IS NOW READY FOR USE.

USING THIS EQUIPMENT.

1. NEVER USE THIS EQUIPMENT WITHOUT SAFETY MATS UNDERNEATH.
2. MAKE SURE THE SCREWS ARE TIGHTLY ENGAGED WHENEVER THE BEAM IS IN USE.

200-SERIES LOW BALANCE BEAM SPECIFICATIONS

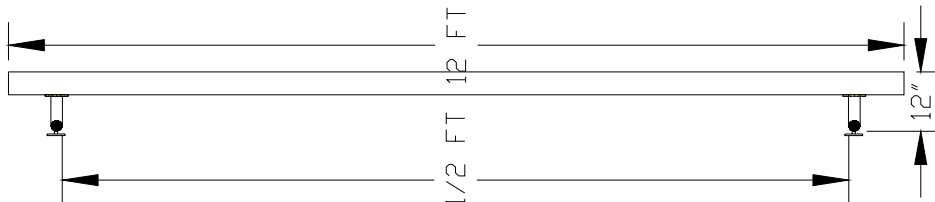


FIGURE 3

REPLACEMENT PARTS LIST

PART #	DESCRIPTION
0007120	GRAY FOOT PAD
0044653	BASE WELDMENT
0095033	LABEL-AAI
0095034	LABEL-MOTION/HEIGHT WARNING
0007230	1-5/8" END CAPS FOR BASE
0020410	3/8" LOCK WASHER
0020510	3/8 X 1-1/4 HEX HEAD CAP SCREW
0407105	BALANCE BEAM ASSEMBLY