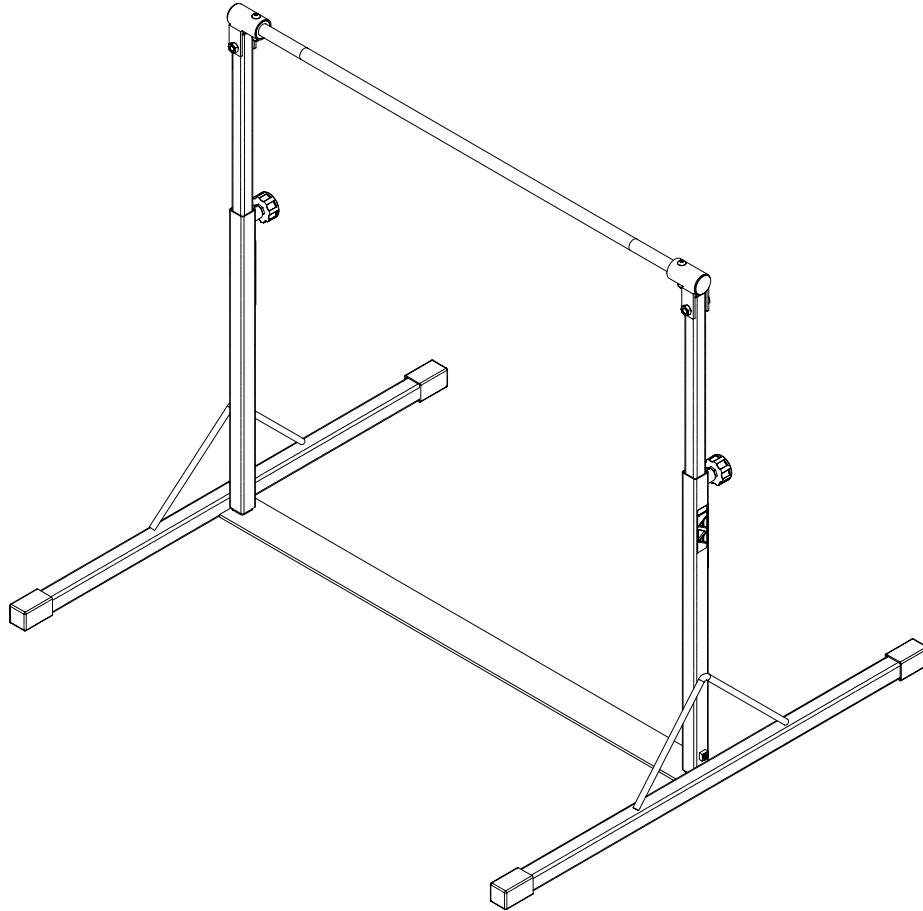




AMERICAN ATHLETIC, INC.
200 AMERICAN AVENUE
JEFFERSON, IOWA 50129
PHONE 515-386-3125

ASSEMBLY INSTRUCTIONS



JUNIOR TURNING BAR

MODEL NUMBER

0407664

LAST REVISION DATE

06-11-03

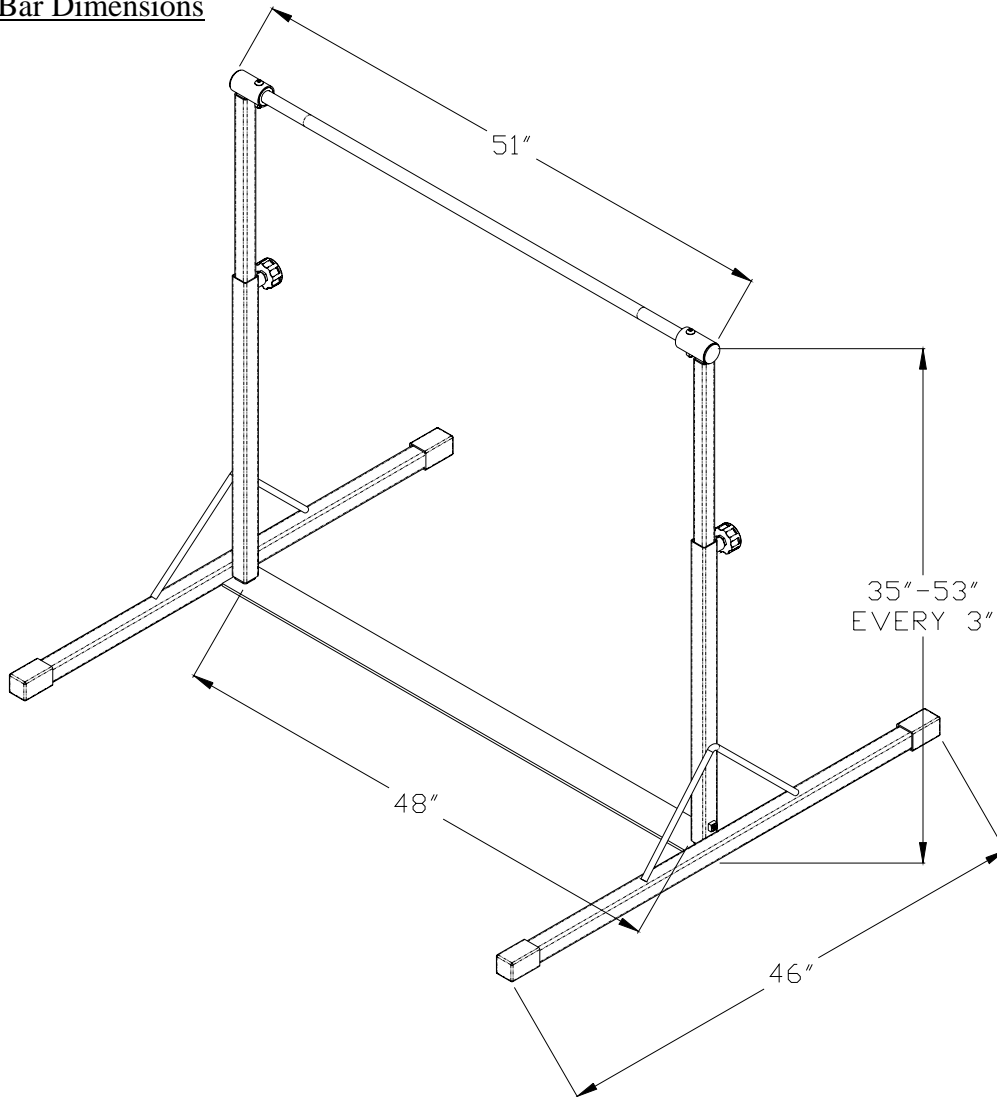
INSTRUCTION SHEET NUMBER

0081901

Using this equipment

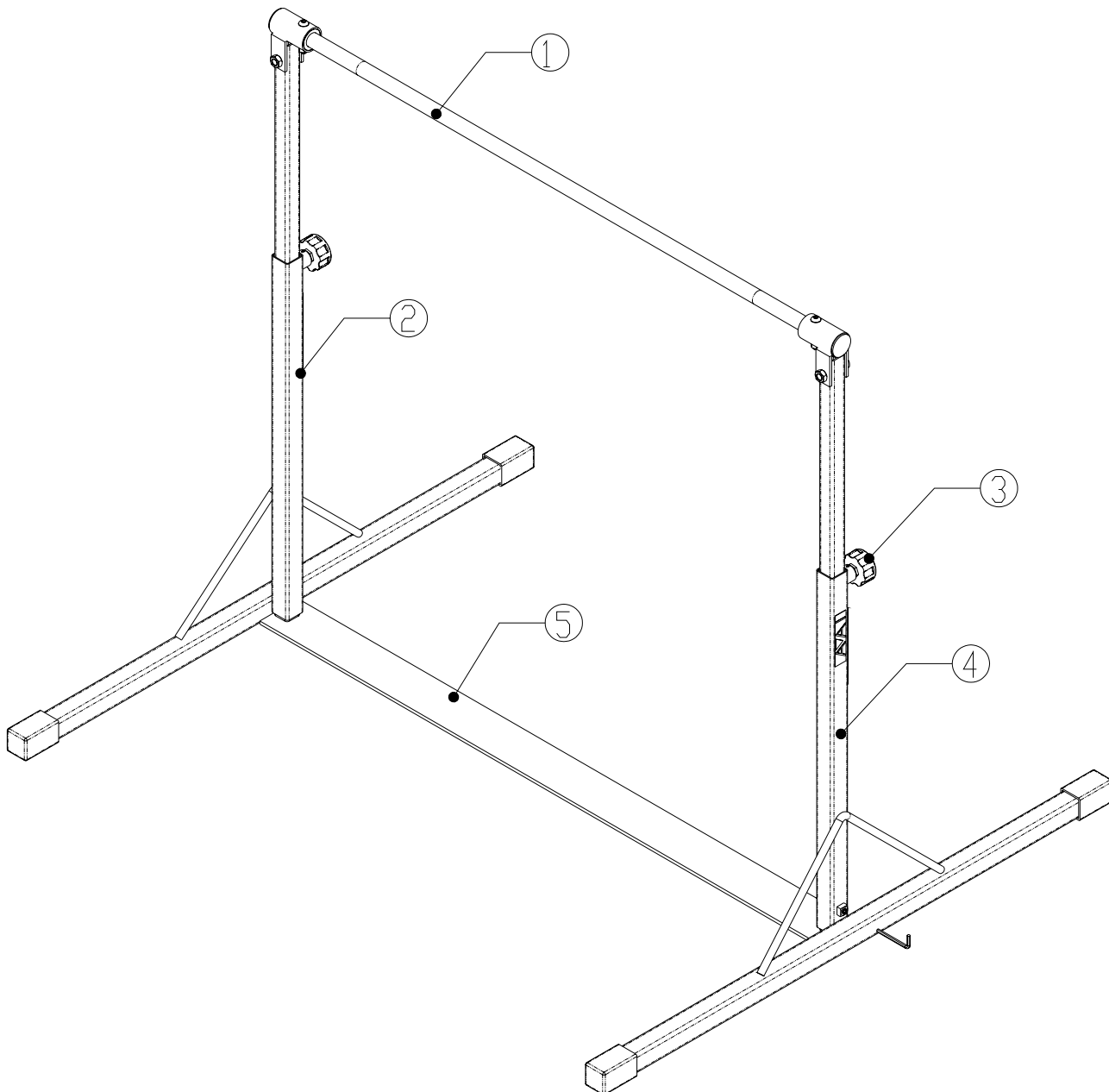
1. This equipment is designed for use by children under 100lbs.
2. Always use this equipment with safety matting underneath.
3. To adjust the height, loosen the spinlock knob counter clockwise and pull. Move the bar up or down and let spinlock knob snap into position, then tighten securely.
4. Always check to make sure spinlock is tightened before use of this equipment.

Jr. Turning Bar Dimensions



Assembly Parts List

Item #	Part#	Description	Quantity
1	74955	Bar Assembly-includes collars, bushings, bolts, and nuts	1
2	74954	LH Leg Assembly- includes spinlock knob and setscrew	1
3	19086	Spinlock Knob Assembly	2 Per Unit
4	74953	RH Leg Assembly- includes spinlock knob and setscrew	1
5	74941	Spreader	1



To Assemble

1. Remove contents from package.
2. Place Spreader on floor and slide the Leg Assemblies over the tubes on the Spreader. Tighten setscrew using the supplied Allen wrench. **NOTE:** Brace on leg assemblies is on the outside of unit.
3. Loosen the Spinlock Knobs and insert the Piston into the Leg Assembly. Adjust to desired height and tighten Spinlock Knob.
4. Place collars over pistons and secure using the supplied bolt.

NOTE: In some cases, step 3 may be easier if the leg assemblies are not tightened until after the bar assembly is in the leg assemblies.

