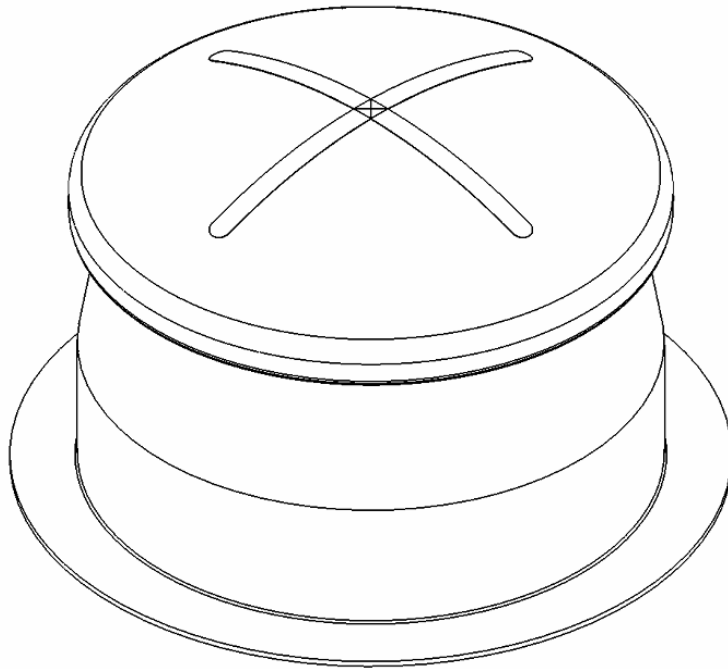




AMERICAN ATHLETIC, INC
200 AMERICAN AVE.
JEFFERSON, IOWA 50129
PHONE 515-386-3125



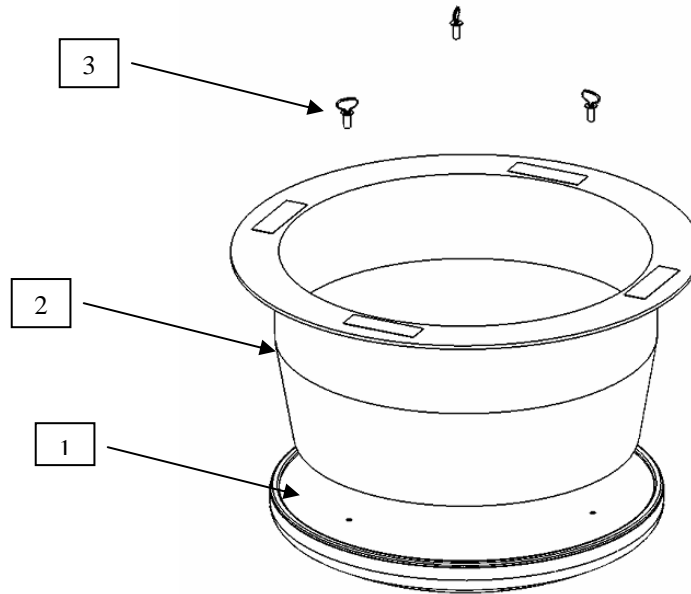
TAC/10 POMMEL TRAINER

MODEL NUMBER 407-670	LAST REVISION DATE 03-31-06	INSTRUCTION NO. 81509
--------------------------------	---------------------------------------	---------------------------------

Assembly Parts List

Key	Part No.	Description	Qty.
1	0077940	Dome Covered	1
2	0007184	Pommel trainer base	1
3	0020457	3/8-16 thumb screw	3

Pommel Trainer assembly Instructions



No Tools are required for Assembly

1. Align the holes in the base with the threaded inserts on the dome. Insert the 3/8" thumb screws through the base into the dome. Tighten with fingers.
2. Turn assembly over and place on a flat surface. Your Tac/10 Pommel trainer is now ready to use.

Use and Care:

Chalk is not recommended when using the Tac/10 Pommel Trainer. The surface will provide better grip if it is clean and free of chalk. To clean the surface, the Tac/10 cleaning kit should be used (product 407-567). Contact your dealer to order.

Periodically check to make sure all 3 thumb screws are secure and tighten as necessary.

American Athletic, Inc.
200 American Avenue
Jefferson, Iowa 50129
515-386-3125

Model No. 407-670
Instruction Sheet #81509
March 31, 2006